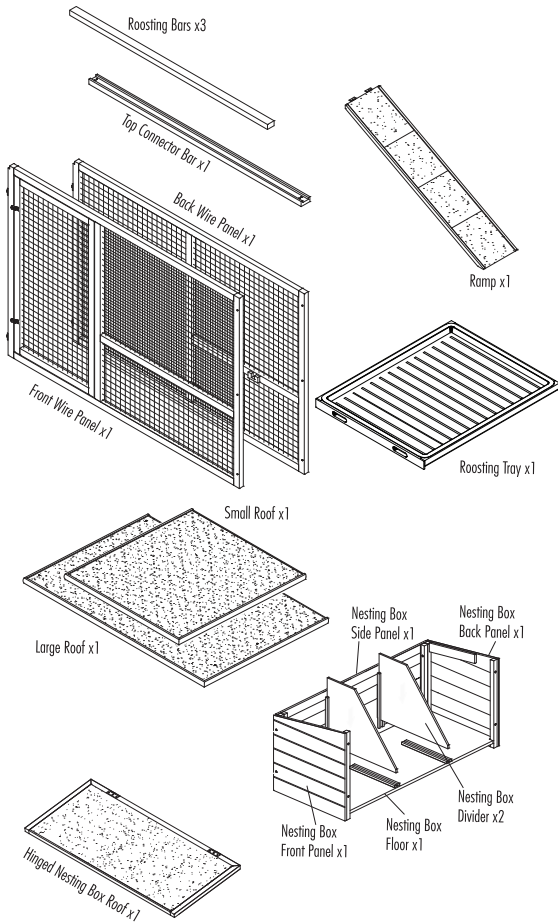
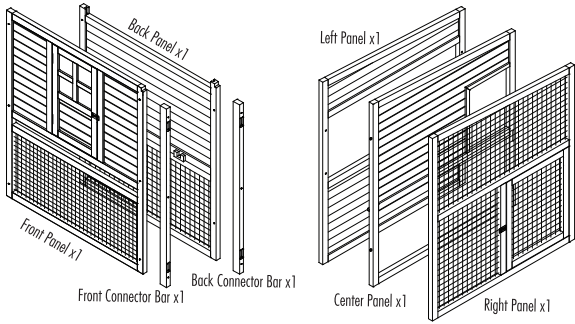


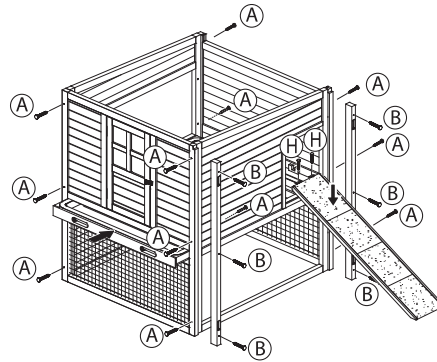
extreme
HenHouse
 CHICKEN COOP



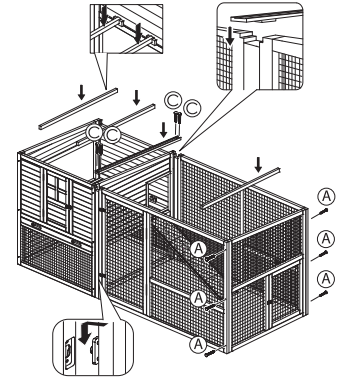
- | | | | | | |
|----------|--|-------------------|----------|--|-----------------------------|
| A | | 3.5x45mm 18+1 pcs | F | | 6x60mm 4+1 pcs |
| B | | 3.5x60mm 6+1 pcs | G | | 6x50mm 4+1 pcs |
| C | | 3.5x30mm 4+1 pcs | H | | 3.0x16mm 2+1 (black) pcs |
| D | | 3.5x50mm 3+1 pcs | | | Left Safety Catch Hinge x2 |
| E | | 3.5x35mm 5+1 pcs | | | Right Safety Catch Hinge x1 |

WARNING For safety, remove all collars and leashes before allowing pet to enter any cage.

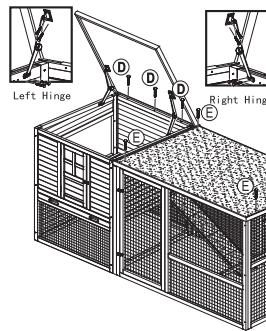
PRECISION
 PET PRODUCTS
 "Making a Better World for Pets"



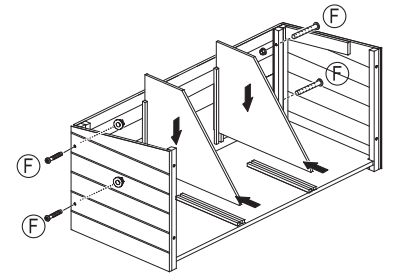
1 Use screw A to connect the front and back panels to the side panels. Insert tray in the location and direction shown in the illustration. Use screw B to attach connector bars. Use screw H to attach ramp.



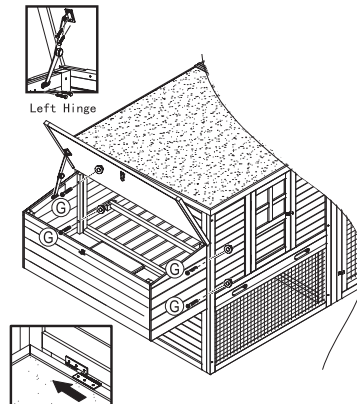
2 Attach front and back wire panels to side wire panel with screw A. Lock wire panels to connector bars as shown. Attach top connector bar with screw C. Add roosting bars.



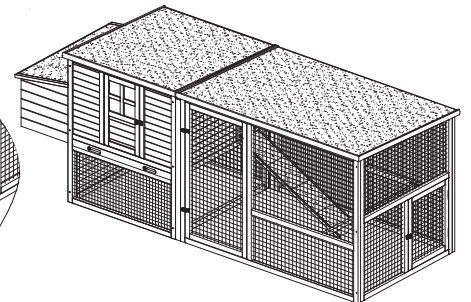
3 Attach large roof with screw E. Attach small roof with with screw D. Attach hinges to coop roof with provided screws.



4 Use bolt F to assemble the nesting box. Insert floor panel in the direction shown. Use bolt G to connect the nesting box to the main house then insert the divider panel.



5 Slide in the nesting box lid as shown. Make sure the hinge joints connect properly. Attach the safety catch hinge with provided screws.



6 Finished

Cleaning Instructions:
 Clean with water and mild soap.
 Avoid harsh detergents.
 Dry completely.