

A 3.5x45mm 12+1 pcs

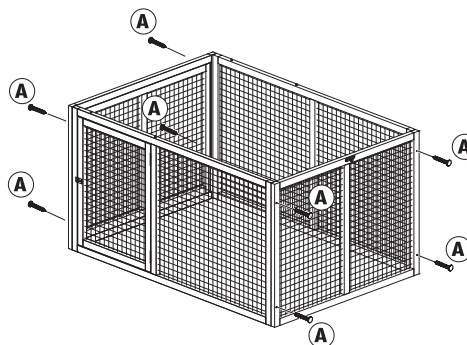


Connectors x 4

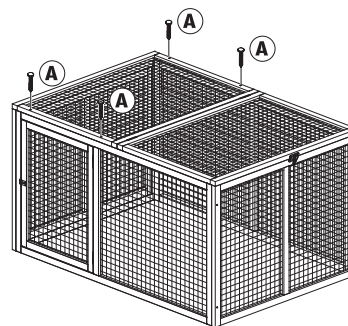
B 3x16mm 8+1 pcs

Simple Set Up

Screwdriver Needed for Assembly



1 Use screw A to connect the front and back panels to the side panels.



2 Attach top panel using screws A.

Cleaning Instructions:
Clean with water and mild soap.
Avoid harsh detergents.
Dry completely.

Attaching the Extreme Hen House Pen to Coop

Optional:

Attach the Extreme Hen House Chicken Coop to the Extreme Hen House Chicken Pen for a larger living space. Chickens can enjoy the benefits of a warm, secure shelter, and the open air pen will allow for their natural foraging behavior.

Connecting the Extreme Hen House Coop and Pen:

1. Remove the left side panel of the Extreme Hen House Pen.
2. Use screw B to connect the Extreme Hen House Coop and Pen with the aluminum connectors. Use 2 on the front and 2 on the back as shown.

(2926-29136) Coop Sold Separately

